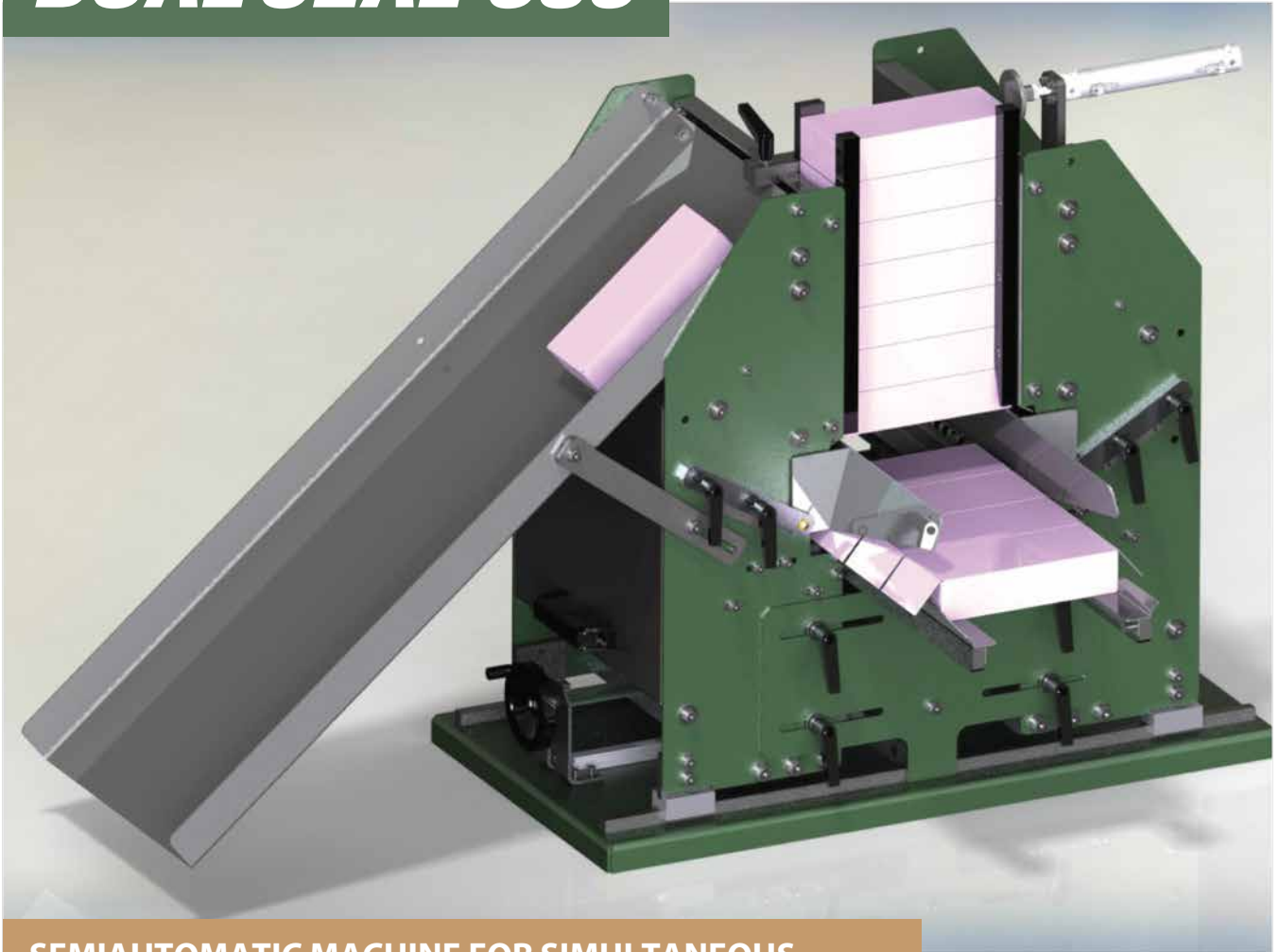


DUAL SEAL 305

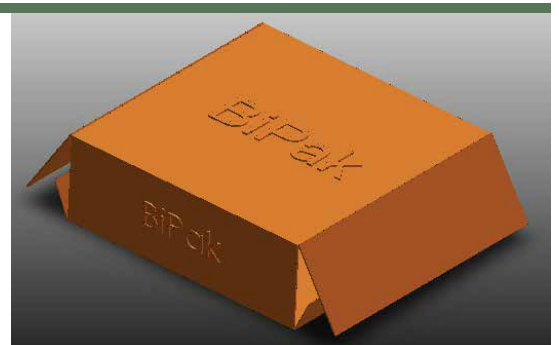


SEMI-AUTOMATIC MACHINE FOR SIMULTANEOUS SEALING OF LATERAL BOX SIDES WITH HOT GLUE

- Economical option of simultaneous sealing of lateral box sides
- Works with different box dimensions
- Setup is quick and easy
- Simple machine, few moving parts
- Capacity up to 1800 boxes per hour
- Compact design allows easy transition from one box size to another, which meets the marketing requirements, especially when it comes to SPECIAL OFFERS!

Box dimensions	L	W	N
Minimum / mm /	80	30	30
Maximum / mm /	305	305	120

(or according to the customers needs)



Machine description

1. Operator places a cardboard box with the product on the receiving module and presses the footswitch to begin the operation
2. Glue is automatically applied to the inner box
3. After applying the hot glue, boxes are automatically lifted to the vertical module, which ensures reliable sealing
4. Finally, the sealed box is automatically redirected toward the gravitational transport

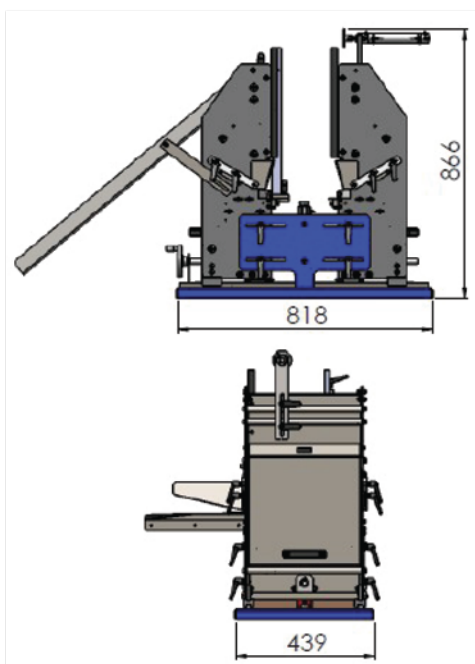
Hot melt system

This is the best way of sealing carton

- Ensures the safety of the product (to open the box, it must be torn open)
- 8ls resistant to atmospheric conditions (increases heat, cold and humidity)
- Suitable for various kinds of cardboard
- Minimal sealing time

Optional equipment

- Automatic cycle start. The machine detects when the box is in position for gluing and the cycle is started automatically.
- Supporting construction - stand.
- Automatic infeed system. An infeed conveyor transports boxes with the product to the machine, without operator interaction.
- Box forming and filling system.



Box Range Size (L, W, H):

- Min: 25 x 80 x 25 mm
- Max: 305 x 305 x 102 mm

Speed:

- Up to 1800 boxes per hour

Electrical:

- Single Phase, 220V, 50Hz
- 1500W Hot Melt System

Air:

- pressure 4 bar
- Volume consumption 30 lit/min

Shipping:

- Normally less than 115 kg

***All dimensions are approximate and subject to change**



Stevana Filipovica 84, 11250 Belgrade, Serbia
Tel: +381.11.2589.530 • Mob: +381.63.233.433
www.bipak.rs • office@bipak.rs